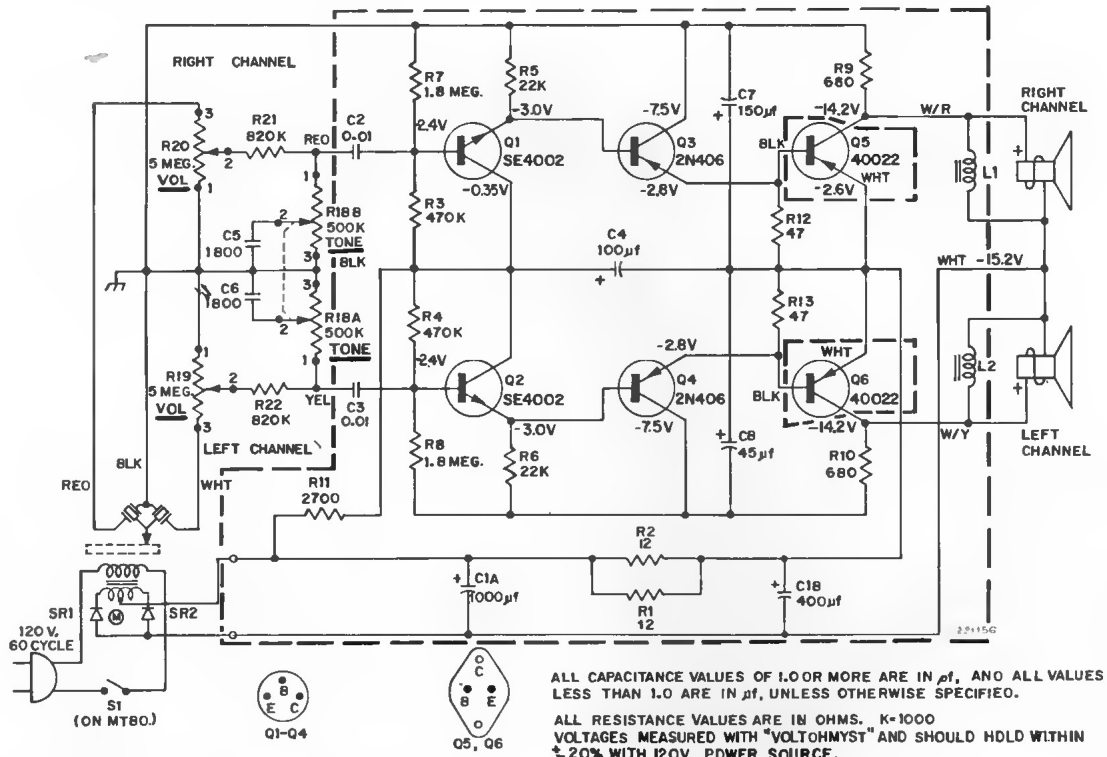


RCA Victor Models VGE-03W, VGP-25E, T, VGP-34E, G, VGP-43E, T



CHASSIS ACCESSIBILITY

The "Solid Copper Circuit" transistorized amplifier chassis is physically mounted to the motorboard under the turntable with the large components, such as the transformers and filter capacitors, protruding downward through cutouts in the motorboard. When the turntable is removed, the wiring side of the circuit board is exposed. The output transistors and rectifiers are mounted to the motorboard.

Power connections (B+ and B-) and the output transistors collector connections are made through the four insulated bolts which mount the amplifier chassis to the motorboard. All other connections to the chassis are made by "slip-on" clips.

